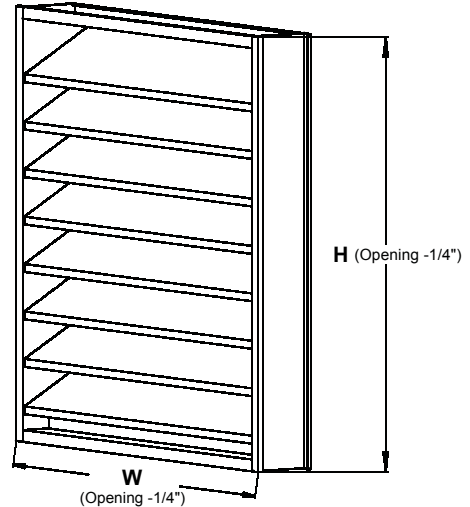
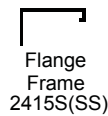
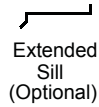
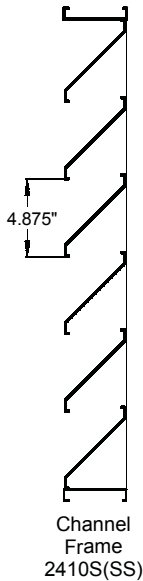


Models 2410S(SS) / 2415S(SS) 4" Formed Steel Stationary Louver



Quantity	Ref. #	Width (W) Opening Size*	Height (H) Opening Size*	Frame	Options/Accessories
PROJECT:				ENGINEER:	
CONTRACTOR:				SUBMITTAL DATE:	

STANDARD CONSTRUCTION

Depth: 4" (102 mm)
 Material: Galvanized Steel
 Frame Thickness: 18 ga.
 Blade Thickness: 18 ga.
 Blade Angle: 45 degrees
 Blade Centres: 4 7/8"
 Bird Screen: 1/2" x 1/2" galvanized, 19 ga.
 Minimum Size: 12" x 12" (305 x 305 mm)
 Maximum Panel Width: 60" (1524 mm)
 Maximum Panel Height: 120" (3048 mm)
 Standard Finish: Mill Finish
 Free Area 48" x 48": 7.38 sq. ft. (0.686 m2)

OPTIONS/ACCESSORIES

Stainless Steel Construction: Type 304
Type 316

Bird Screen: 1" x 1" Galvanized
1/2" X 1/2" Stainless Steel

Insect Screen: 18 x 14 Mesh

Finish: Powder Coat Paint
Paint Colour # _____

Accessories: Blank-Off Panel
1" or 2" Insulated Blank Off Panel
Hinged Frame
Assembled with Stainless Steel Fasteners
Hinged Frame and Louvered Access Door
Security Bars
Extended Sills
Extended Sleeves
Filter Racks

* Louver will be manufactured 1/4" smaller than given opening dimensions unless otherwise specified.